

## Digital Process Indicators ID56 and ID8

**Function:** The ID56 and ID8 are panel mounting digital process indicators with high efficiency 3½ digit red LED displays. They are designed for use in instrumentation systems with 0 to 10mA, 0 to 20mA or 4 to 20mA current loops. The display can be preset, or adjusted by the user, to display engineering units. The indicators are 110 or 240 Volt AC, or, 24 Volt DC powered and provided with screw terminals for all connections. The displays can be scaled from -1999 to +1999 full scale and the zero and span and decimal point are all selectable by means of potentiometers and links located behind the front panel. The ID56 has 0.56" digits whilst the ID8 has larger 0.8" digits.

### SPECIFICATIONS

Please note that the following are typical ranges. We also manufacture instruments to cater for other ranges, within limitations detailed below. All instruments come with span and zero potentiometers for fine tuning on site.

#### INPUTS:

##### DC Current

0 to 10mA into 470 ohms  
0 to 20mA into 240 ohms  
4 to 20mA into 240 ohms

#### DISPLAYS:

##### Display

3½ digit red LED

##### Digit Size

ID56 0.56"  
ID8 0.8"

##### Full Scale Range

-1999 to +1999

Scaleable to required engineering unit range

##### Decimal Point

Decimal point may be located as required - factory set or solder link selectable by user

#### SUPPLY:

##### Power Supply Voltage

110 Volt AC ±10% 50/60Hz  
240 Volt AC ±10% 50/60Hz  
24 Volt DC

##### Power Required

6VA Maximum

##### Internal Fuse

100mA

##### Warm Up Time

10 minutes

#### GENERAL:

##### Accuracy

0.2% ±1 digit

##### Linearity

± 2 digits

##### Sample Rate

3 samples per second

##### Operating Temperature Range

0 to +50°C

##### Storage Temperature Range

-20 to +60°C

##### Operating/Storage Humidity Range

0 to 95% RH non-condensing

##### Mounting

Panel mounting

##### Panel Cut-out

91mm x 43mm

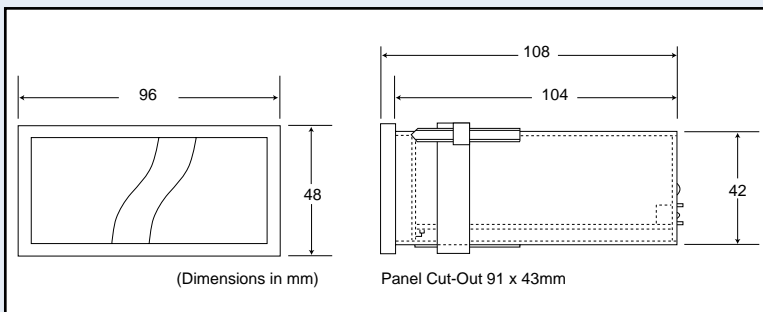
##### Protection Level

Fascia Panel to IP54

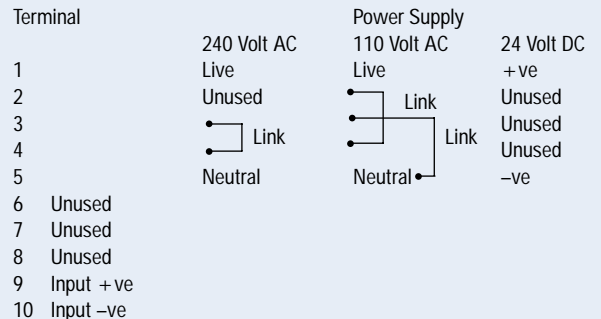
##### Weight

ID56 335 gms  
ID8 350 gms

### MECHANICAL DETAILS



### TERMINATION DETAILS



### ORDERING DETAILS

- Give identification code, i.e. ID8
- Give details of power supply, i.e. 240 Volt AC
- Specify input type and range, i.e. 4 to 20mA
- Specify display ranging required, i.e. 0 to 150.0